

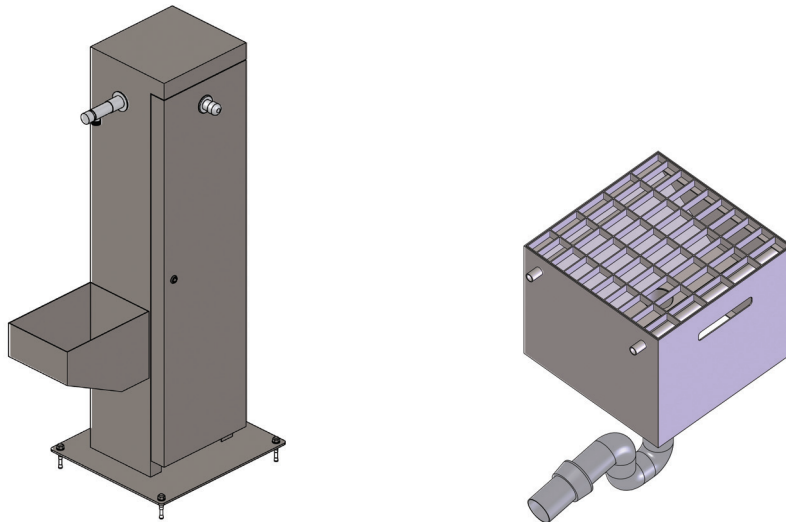


CAMPING LINE
**WASTEWATER
DISCHARGE SYSTEMS**
SUPPLY BOLLARDS

FOR DISTRIBUTION
OF ENERGY AND SERVICES

WASTEWATER DISCHARGE SYSTEMS

The Camping Line by New VMR S.r.l.
is completed with its wastewater discharge system:
the kit **TOTEM ACQUA** with self-cleaning well.



TOTEM ACQUA

a unit for water supply, that comes with or without a compartment to empty the tanks.
Equipped with water outlets to supply water or to be used to clean the wastewater
discharge point in the camping area

TECHNICAL SPECS

Unit TOTEM ACQUA from the Camping Line by New VMR S.r.l. entirely made of AISI304,
or AISI316L on demand, stainless steel. Completed with door and lock to ease the water connection.
Painted standard colour micaceous iron grey (or special RAL colour
with gloss or mat finish on demand and extra charge).
Equipped with 02 water outlets ½" and available with or without compartment to empty the tanks
(in the combined version "kit TOTEM ACQUA and self-cleaning well",
one of the water outlets will be used exclusively to activate the nebulizing nozzles of the well)

Standard dimension: L300 x H1200 and depth 270mm

SELF-CLEANING WELL

a stainless steel well completed with nebulizing nozzles to clean its surface from dirt

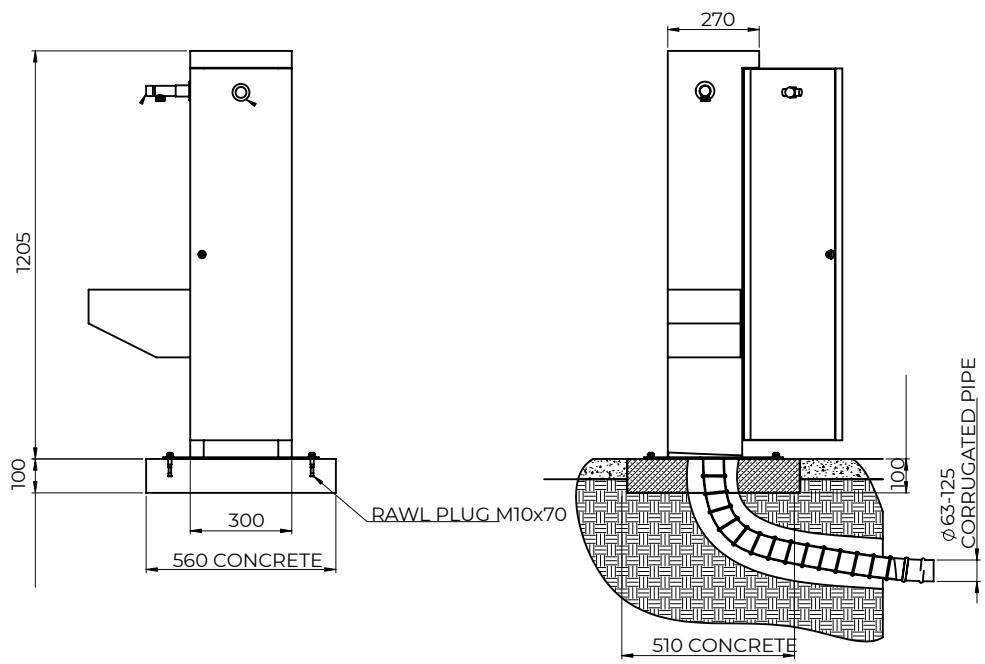
TECHNICAL SPECS

Unit SELF-CLEANING WELL for the wastewater discharge from the Camping Line by New VMR S.r.l. entirely
made of AISI304 stainless steel. Central drainage pipe with a depth of 20cm, completed with steel sleeves
¾" for water connection. Connection pipe to sewer drainage with diameter 80mm; frame equipped with a
self-cleaning washing system composed by washing nozzles,
to be connected to a fountain or directly to the TOTEM ACQUA unit by New VMR S.r.l..

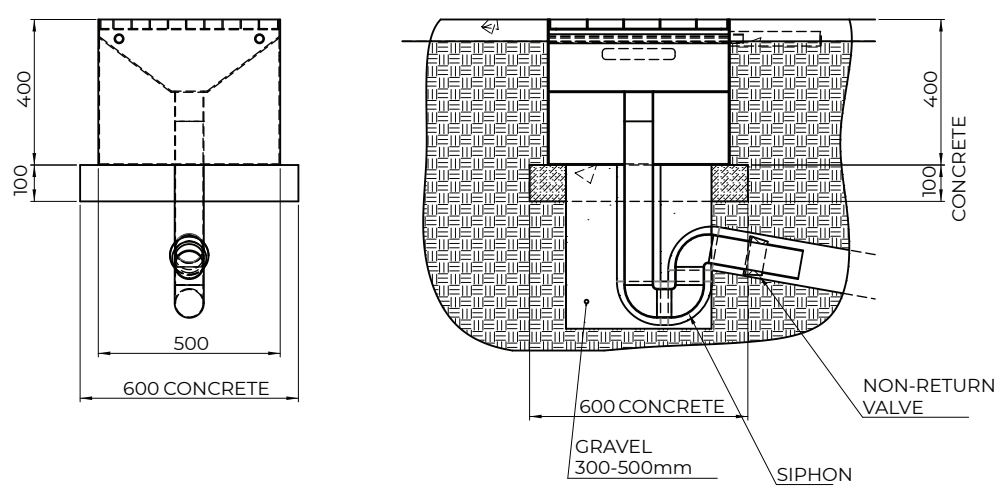
Standard height 400mm, thickness 3mm and dimensions:

500x500mm
600x600mm
900x900mm

Technical drawing (example)



TOTEM ACQUA



SELF-CLEANING WELL



WWW.VMRSRL.COM

NEW VMR S.R.L.

VIA LARIO 31, 22060 CANTÙ (CO) ITALY

+39 031 704673 | 031 7090081

INFO@VMRSRL.COM

P.IVA 03230340139