

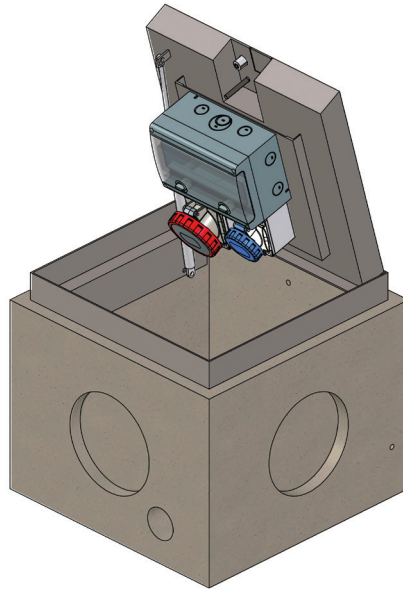


VM02 4040

RETRACTABLE
POWER TOWER

FOR DISTRIBUTION
OF ENERGY AND SERVICES

VM02 4040



MECHANICAL SPECS

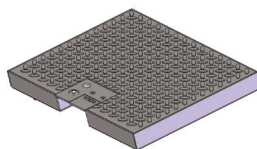
Retractable power tower, model VM02 4040 from the "Urban Technology" line of New VMR S.r.l., for the distribution of energy and other services, made of AISI304 stainless steel with its cover completed with cable outlet to allow to use the unit with its cover closed. Semiautomatic lifting with release key and gas rams: the opening is eased by a double gas actuator and a pivot partially removable from the lid surface; the closing is guaranteed by a AISI304 stainless steel bronzed bayonet lock, operated by its square key. Complete with RBK concrete box with the following external 490x490xh370mm.

ELECTRICAL SPECS

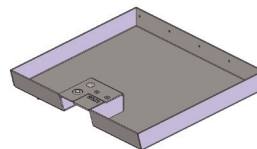
Electrical equipment containment box with IP 66 protection IEC 60 529 and CE70-1 double insulation in thermoplastic material free of halogen self-extinguishing halogen, painted gray RAL 7035 resistant to abnormal heat and fire up to 650 ° (incandescent wire test according to IEC 60 695-2 -1).

Elastomer sealing gaskets for dimensional stability in continuous operation from -20 ° to + 85 °. Resistance to chemical agents (water, saline solutions, acids, bases and oils) and atmospheric agents. Reference standards: CEI 23-48 and IEC 60 670. This system is suitable for manufacturing equipment and for places with a higher risk of fire (IEC 64-8 / 7).

AVAILABLE COVERS



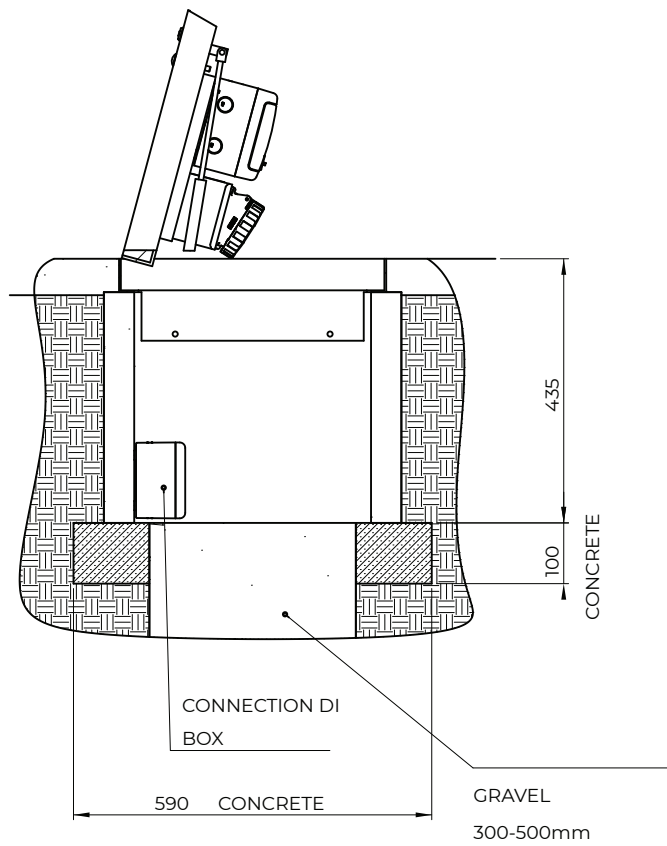
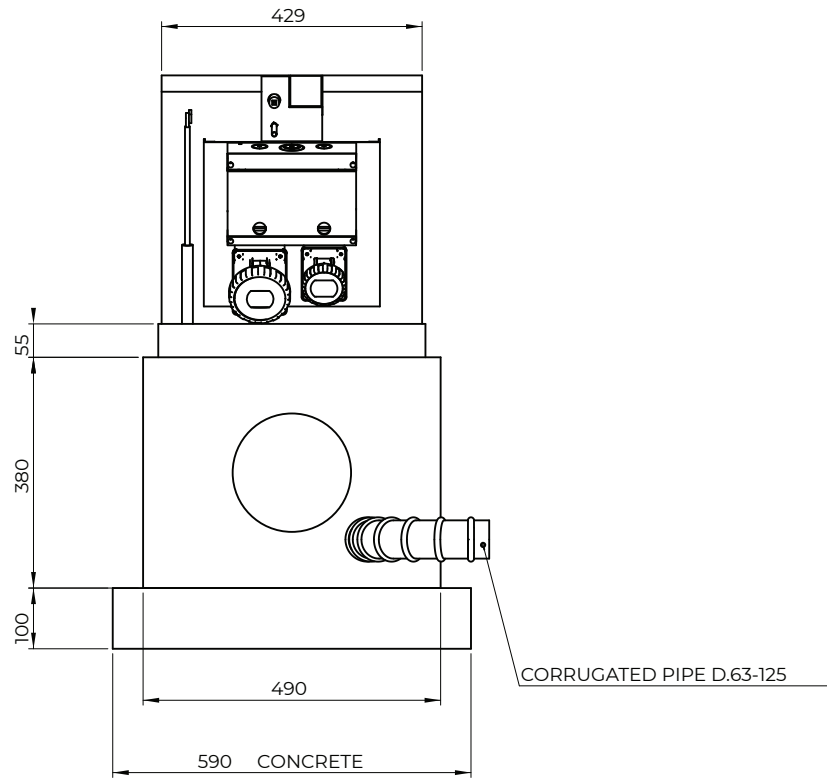
**400kN STAINLESS
STEEL* COVER with
ALMOND FINISH**



**250kN STAINLESS STEEL*
COVER to FILL**

* electro pickling and electropolishing with passivation of stainless steel treatment to finish and clean the covers from welding marks

Technical drawing (example)



TECHNICAL DETAILS

STRUCTURE

RBK concrete box

Structure made of AISI304 stainless steel

Structure made of AISI316L stainless steel (only on demand)

CONNECTION SYSTEM

Connection with junction box

ELECTRICAL SPECS

Voltage 230V/400V

Frequency from 50hz to 60hz

Standard protection of the sockets IP67 or IP68

Regulation EN 60947-1 and EN 61439

ADDITIONAL EQUIPMENT

Compressed air outlets

Audio / video connectors

RJ-data / video / telephone jacks

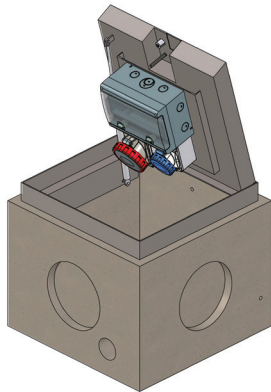
Water outlets / valves 1/2" or 3/4"

Energy consumption meters

Water consumption meters

Prepaid system with rechargeable BADGE cards
and CONTROL TOTEM

EQUIPMENTS
VM02
4040



SUITABLE FOR

market areas, squares, showrooms, parks,
hangars or hotels

VM02 4040 - A *

01 2P+E 16A CEE socket
01 RCBO 1P+N 16A 0,03 6KA
01 3P+N+E 32A CEE socket
01 RCBO 4x32A 0,03 6KA
01 heating kit

VM02 4040 - B *

02 2P+E 16A CEE sockets
02 RCBOs 1P+N 16A 0,03 6KA
01 3P+N+E 16A CEE socket
01 RCBO 4x16A 0,03 6KA
01 heating kit

VM02 4040 - C *

03 2P+E 16A CEE socket
03 RCBOs 1P+N 16A 0,03 6KA
01 heating kit

VM02 4040 - D *

01 2P+E 32A CEE socket
01 RCBO 1P+N 32A 0,03 6KA
01 heating kit

VM02 4040 - E *

01 3P+N+E 32A CEE socket
01 RCBO 4x32A 0,03 6KA
01 heating kit

VM02 4040 - F *

02 2P+E 16A interlocked sockets with fuse
01 3P+N+E 16A interlocked socket with fuse
01 3P+N+E 32A interlocked socket with fuse

VM02 4040 - G *

03 2P+E 16A interlocked sockets with fuse
01 3P+N+E 16A interlocked socket with fuse

VM02 4040 - H *

04 2P+E 16A interlocked sockets with fuse

VM02 4040 - I

04 ball valves 1/2"

VM02 4040 - L

02 ball valves 1/2"
02 water meters

SUITABLE FOR

indoors, private areas or showrooms

VM02 4040 - M *

04 civil sockets
04 SCHUKO sockets
01 heating kit

**WITHOUT EQUIPMENT - ONLY STAINLESS STEEL PLATE TO MOUNT THE EQUIPMENT
OPTIONAL ACCESSORIES**

* 01 ball valve 1/2" mounted on the concrete



WWW.VMRSRL.COM

NEW VMR S.R.L.

VIA LARIO 31, 22060 CANTÙ (CO) ITALY

+39 031 704673 | 031 7090081

INFO@VMRSRL.COM

P.IVA 03230340139